

Folding shower seat with ABS seat Ponte Giulio 摺合式浴椅
G27JDS43



Type	shower seat
Components	without backrest
Other characteristics	wall-mounted, fold-down

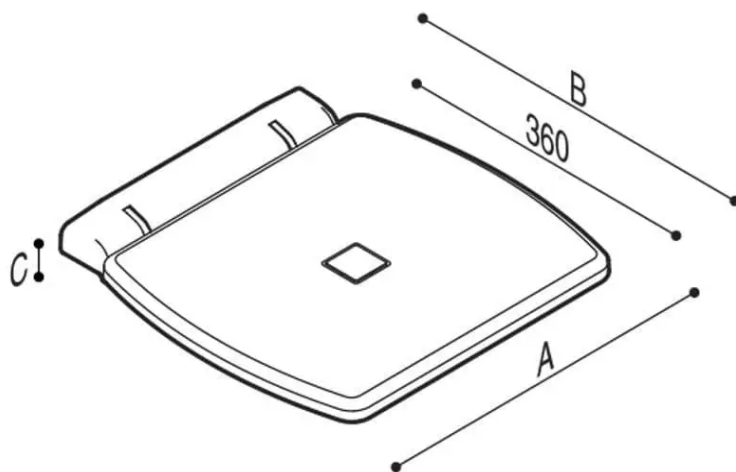


Dimensions: 415x425x105

Maximum load of 150 KG

Material: stainless steel-ABS

White color



Fold down shower seat, ABS seat and AISI 304 frame. This seat is slightly wider than average seats and has a flatter design as to fold up against the wall and protrude only 70mm. A small water outlet hole is in the centre of the seat which prevents water filling the seat area. The concealed fixing of the seat is an advantage over other makes as no screws are visible.

Price HKD



PONTE GIULIO®

甚麼是 BioCote?



BioCote是基於銀離子科技，其抗菌保護可減少產品表面微生物的總量高達 99.99%。實驗室測試也已反覆證明了BioCote能夠保護產品表面，抑制黴菌和酵母菌的生長及形成。

BioCote已應用到PONTE GIULIO多種產品之中，使其能夠提供驗證可靠的、內置的抗菌保護，以此在預計的產品生命週期內抵抗各種各樣的微生物，包括細菌、黴菌和病毒。

BioCote® is an antimicrobial technology, based on silver ions, which helps to create sustainable, hygienic environments.

BioCote® protected grab bars:

- Rapidly reduce bacteria on their surfaces and in the environment by up to 99%
- Work in-between cleaning routines
- Provide 24/7 antimicrobial protection
- Help reduce risk of cross- contamination



Tubicolor Straight Grab Bar

G01JAS41xx 43 cm. straight

G01JAS43xx 68 cm. straight

G01JAS44xx 98 cm. straight



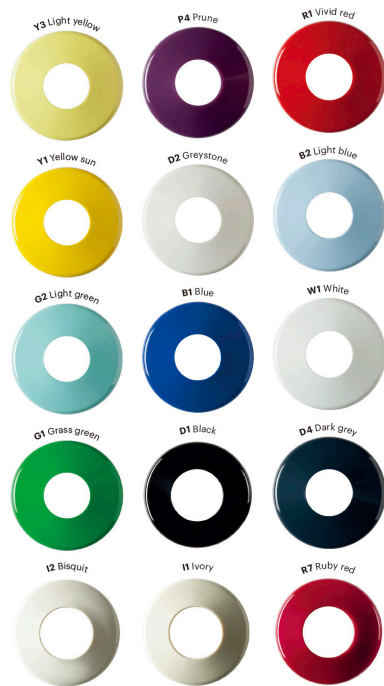
Color / Finish : B1-Blue, B2-Pastel blue, D1-Black, D2-Stone grey, D4-Darkgrey, G1-Grass green, G2-Pastel green, I1-Ivory, I2-Biscuit, P4-Plum, R1-Bright red, R7-Ruby red, W1-Milk white, Y1-Sunyellow, Y3-Light yellow

Materials : Vinyl coated zinc-plated steel

- Polyamide - fiberglass reinforced - fixing flange
- Polyamide flange cover, to hide the screws.
- Vinyl coating - 3 mm thick - warm and soft to the touch
- Antibacterial protection, for product durability
- Biocompatible
- Handle diameter 32 mm.
- Flange diameter 82 mm.
- Non-slip handle
- TÜV-certified product



Tubicolor SERIES
offers antimicrobial protection



Price HKD